

# Soft Start-up Valve

# AV2000/3000/4000/5000



## How to Order

**AV 20 00 - 02 - 1 G -**

Soft start-up valve

**Body size**

20	1/4
30	3/8
40	1/2
50	3/4, 1

**Thread type**

Nil	Rc
F	G
N	NPT

**Port size**

02	1/4 (AV2000 only)
03	3/8 (AV3000 only)
04	1/2 (AV4000 only)
06	3/4 (AV5000 only)
10	1 (AV5000 only)

**Option**

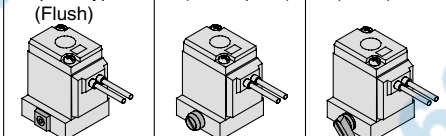
Nil	None
G	With pressure gauge

**Flow direction**

Nil	Left to right
R	Right to left

**Manual override**

<b>Nil:</b> Non-locking push type (Flush)	<b>B:</b> Locking type (Tool required)	<b>C:</b> Locking type (Lever)
---	--	--------------------------------



**Light/Surge voltage suppressor**

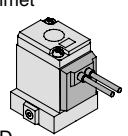
Nil	None
S	With surge voltage suppressor (Grommet type only)
Z	With light/surge voltage suppressor (Not possible with grommet type)

**Coil rated voltage**


1	100 VAC (50/60 Hz)
2	200 VAC (50/60 Hz)
3	110 to 120 VAC (50/60 Hz)
4	220 VAC (50/60 Hz)
5	24 VDC
6	12 VDC
7	240VAC (50/60 Hz)
9	Other

**Electrical entry**

**G:** Grommet

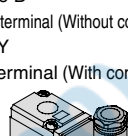


**D:** Type D DIN terminal (With connector)

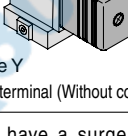


**DO:** Type D DIN terminal (Without connector)

**Y:** Type Y DIN terminal (With connector)



**YO:** Type Y DIN terminal (Without connector)



## How to Order Pilot Valve Assembly

**SF4 - 1 G - 80**

Rated coil voltage

1	100 VAC (50/60 Hz)
2	200 VAC (50/60 Hz)
3	110 to 120 VAC (50/60 Hz)
4	220 VAC (50/60 Hz)
5	24 VDC
6	12 VDC
7	240 VAC (50/60 Hz)
9	Other

Soft start-up valve

**Flow direction**

Nil	Left to right
R	Right to left

**Manual override**

Nil	Non-locking push type (Flush type)
B	Locking type (Tool required)
C	Locking type (Lever type)


**Light/Surge voltage suppressor**

Nil	None
S	With surge voltage suppressor (Grommet type only)
Z	With light/surge voltage suppressor (Not possible with grommet type)

**Electrical entry**

G	Grommet
D	Type D DIN terminal (With connector)
Y	Type Y DIN terminal (With connector)
DO	Type D DIN terminal (Without connector)
YO	Type Y DIN terminal (Without connector)

Note) The grommet type can have a surge voltage suppressor (direct coupling type lead wire), but without indicator light.



BAUART  
GEPRÜFT  
TYPE  
APPROVED

**TÜV approved product**  
(Conforms to standards necessary) to satisfy EC directives.

Series AV has received approval from TÜV Rheinland, an EC Notified Body (EC authorization number 0197), for conformity to DIN VDE0580: 1994 Standards.

Please consult with SMC for details when ordering TÜV approved products because of restrictions regarding product model, voltage specification, and electrical entry, etc.