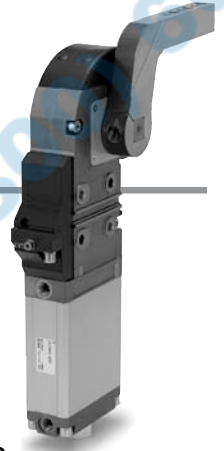


# Power Clamp Cylinder Conforming to the New NAAMS Standard Series CKZ2N

ø50, ø63, ø80



## How to Order

CKZ2N 63 TF 120 R T A A002

Power clamp cylinder conforming to the new NAAMS standard

### Bore size

50	Equivalent to 50 mm
63	Equivalent to 63 mm
80	Equivalent to 80 mm

### Cylinder port

Nil	NPT
TF	G

### Arm opening angle

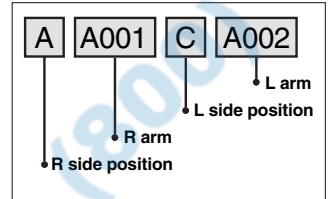
30	30
45	45
60	60
75	75
90	90
105	105
120	120
135	135

### Arm style

Nil	Without arm
-	Arm code (See attached code.)

Note 1) Please indicate appropriate arm position and arm code in serial as following example in case of D type arm position.

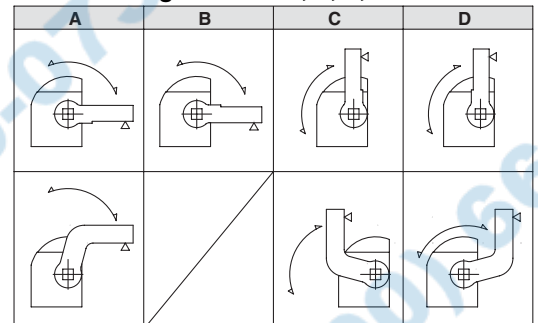
Note 2) Not installed when delivered.



### Arm mounting position (A, B, C, D)

Note 1) See below "Arm Mounting Position"

### Arm Mounting Position: A, B, C, D



### Switch type

T	Turck
P	P & F

### Arm position

