

Parallel Style Air Gripper (Standard) Compact Series (Without Auto Switch) Series *MHZA2-6/MHZAJ2-6*

How to Order

MHZA 2 — 6 D

MHZAJ 2 — 6 D

With dust cover

Number of fingers
2 2 fingers

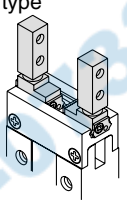
Bore size
6 6 mm

Action

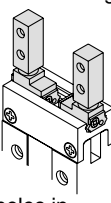
D	Double acting
S	Single acting (Normally open)
C	Single acting (Normally closed)

Finger option

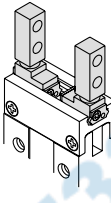
[Standard]
Nil: Basic type



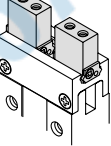
1: Side tapped mounting



2: Through-holes in opening/closing direction



3: Flat type fingers



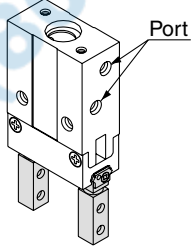
• Made to Order
Refer to page 389 for details.

• Dust cover type

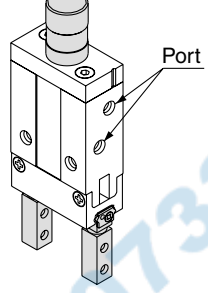
Nil	Chloroprene rubber (CR)
F	Fluororubber (FKM)
S	Silicon rubber (Si)

• Body option

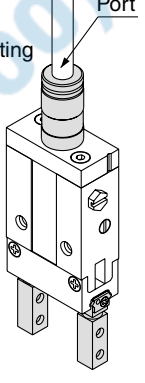
Nil: Basic type



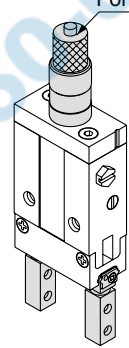
E: End boss type
Side ported
(Double acting/Single acting)



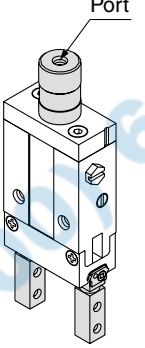
K: End boss type
Axial ported
with ø4 One-touch fitting
(Single acting)



H: End boss type
Axial ported
with ø4 hose nipple
(Single acting)



M: End boss type
Axial ported
with M3 port
(Single acting)



Parallel Style Air Gripper/Compact Series *Series MHZA2-6/MHZAJ2-6*



Specifications

Operating pressure	Fluid		Air
	Double acting	Single acting	Normally open Normally closed
Ambient and fluid temperature			-10 to 60°C
Repeatability			±0.01 mm
Max. operating frequency			180 c.p.m.
Lubrication			Not required
Action			Double acting/Single acting

* Use the gripper with dust cover when used in a place where there may be dust.

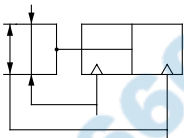
Model

Action	Model	Bore size (mm)	Gripping force (Note)		Opening/Closing (Both sides) (mm)	Mass (g)
			Gripping force per finger Effective value (N)			
			External	Internal		
Double acting	MHZA2-6D	6	3.3	6.1	4	26
	MHZAJ2-6D	6			4	27
Single acting	Normally open	MHZA2-6S	1.9	—	4	26
		MHZAJ2-6S			4	27
	Normally closed	MHZA2-6C	—	3.7	4	26
		MHZAJ2-6C			4	27

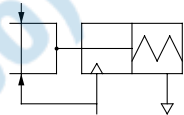
Note) Values based on pressure of 0.5 MPa, gripping point L = 20 mm, at center of stroke.

JIS Symbol

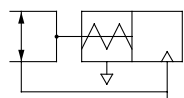
Double acting



Single acting type, Normally open



Single acting type, Normally closed



Option

● Body Option/End Boss Type

Symbol	Piping port location	Type of piping port	Applicable model	
		MHZA2-6/MHZAJ2-6	Double acting	Single acting
Nil	Basic type	M3 x 0.5	●	●
E	Side ported	M3 x 0.5	●	●
K	Axial ported	With ø4 One-touch fitting	—	●
H		With ø4 hose nipple	—	●
M		M3 x 0.5	—	●



Made to Order

(Refer to pages 683 to 713 for details.)

Symbol	Specifications/Description
-X4	Heat resistance (100°C)
-X5	Fluororubber seal
-X12	Opening direction spring assist
-X53	EPDM seal/Fluorine grease
-X56	Axial ported type
-X63	Fluorine grease
-X64	Finger: Side tapped mounting
-X65	Finger: Through-hole mounting
-X77A	Dust cover adhesion
-X77B	Dust cover adhesion (Finger part only)
-X78A	Dust cover caulking
-X78B	Dust cover caulking (Finger part only)
-X79	Grease for food

MHZ

MHF

MHL

MHR

MHK

MHS

MHC

MHT

MHY

MHW

-X□

MRHQ

MA

D-□