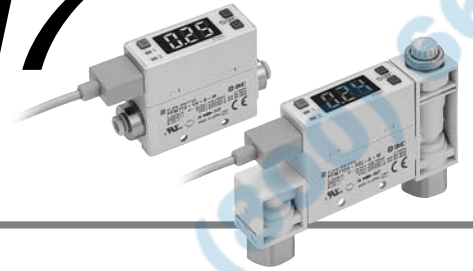


2-Color Display Digital Flow Switch Series PFM7

Integrated display



How to Order

Integrated display

PFM7 10 - **C4** - **A** - **M** -

Type

7 Integrated display

Rated flow range (Flow rate range)

10	0.2 to 10 (5) ℓ /min
25	0.5 to 25 (12.5) ℓ /min
50	1 to 50 (25) ℓ /min
11	2 to 100 (50) ℓ /min

* (): Fluid: CO₂

Flow adjustment valve

Nil	None
S	Yes

Port size

Symbol	Description	Flow rate range			
		10	25	50	11
01	Rc1/8	●	●	●	
02	Rc1/4				●
N01	NPT1/8	●	●	●	
N02	NPT1/4				●
F01	G1/8	●	●	●	
F02	G1/4				●
C4	ϕ 4 (5/32") one-touch fitting	●			
C6	ϕ 6 one-touch fitting	●	●	●	●
C8	ϕ 8 (5/16") one-touch fitting		●	●	●
N7	ϕ 1/4" one-touch fitting		●	●	●

Piping entry direction

Nil	Straight
L	Bottom

* Different combinations of piping entry directions for IN and OUT side are available as made-to-order. (Refer to page 940.)

Made to Order
(Refer to page 907 and 940.)

Option 2
(Refer to page 907.)

Option 1
(Refer to page 907.)

Calibration certificate

Nil	None
A	With calibration certificate

* The certificate is written in English and Japanese. Other languages are available as specials.

Instruction manual

Nil	With instruction manual (Leaflet: Japanese and English)
N	None

Unit specification

M	Fixed SI unit ^{Note}
Nil	With unit switching function

Note) Fixed unit: Real-time flow rate: ℓ /min
Accumulated flow: ℓ

Output specification

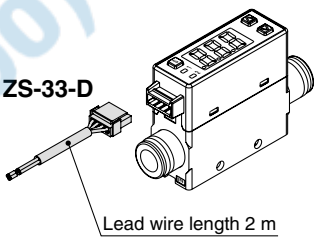
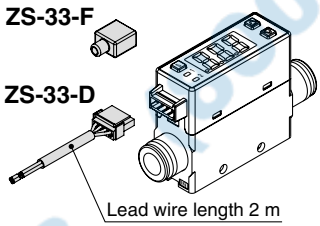
A	2 NPN outputs
B	2 PNP outputs
C	1 NPN output + Analog (1 to 5 V)
D	1 NPN output + Analog (4 to 20 mA)
E	1 PNP output + Analog (1 to 5 V)
F	1 PNP output + Analog (4 to 20 mA)
G	1 NPN output + External input ^{Note 3)}
H	1 PNP output + External input ^{Note 3)}

Note 3) User can select from accumulated value external reset, auto-shift and auto-shift zero.

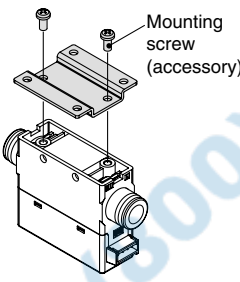
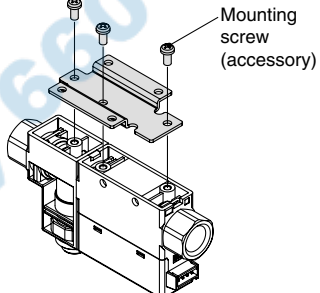
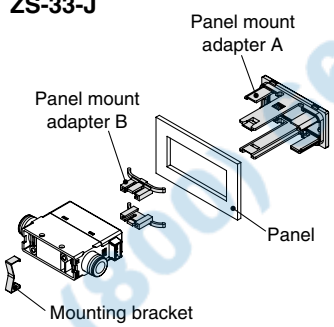
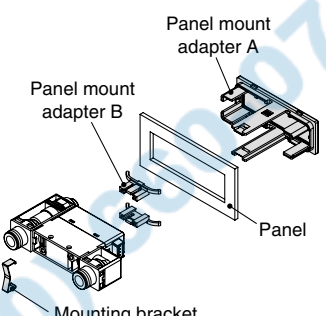
Piping Variations

	With one-touch fittings (C4, C6, C8, N7)		Female thread (01, 02, N01, N02, F01, F02)	
	Straight (Nil)	Bottom (L)	Straight (Nil)	Bottom (L)
Without flow adjustment valve (Nil)				
With flow adjustment valve (S)				

Option 1

Nil	W	Z
With lead wire with connector (2 m)  <p>ZS-33-D</p> <p>Lead wire length 2 m</p>	With lead wire with connector (2 m) + Rubber cover for connector (silicon rubber)  <p>ZS-33-F</p> <p>ZS-33-D</p> <p>Lead wire length 2 m</p>	Without lead wire with connector

Option 2

Nil	R	S	T
None	Bracket (For without flow adjustment valve) ZS-33-M  <p>Mounting screw (accessory)</p>	Bracket (For with flow adjustment valve) ZS-33-MS  <p>Mounting screw (accessory)</p> <p>Piping direction: Cannot be mounted with bottom piping type.</p>	Panel mount adapter (For without flow adjustment valve) ZS-33-J  <p>Panel mount adapter A</p> <p>Panel mount adapter B</p> <p>Panel</p> <p>Mounting bracket</p>
V Panel mount adapter (For with flow adjustment valve) ZS-33-JS  <p>Panel mount adapter A</p> <p>Panel mount adapter B</p> <p>Panel</p> <p>Mounting bracket</p>	Each option is not assembled with the product, but shipped together.		

Made to Order

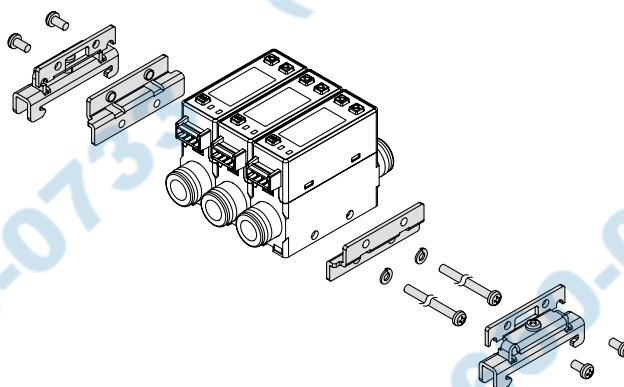
Symbol	Specification/Description
X693	Change of piping entry direction combination
X694	Change of piping entry direction combination
X731	Compatible with argon (Ar) and carbon dioxide (CO ₂) mixed gas

For details, refer to page 940 through to 942.

DIN Rail Mounting Bracket (Order Separately)

ZS-33-R

Stations	
1	1 station
2	2 stations
3	3 stations
4	4 stations
5	5 stations



- DIN rail (supplied by customers)
- Port size F02: G1/4 cannot be mounted on the DIN rail.