

Flow Sensor

Series PFMV5



How to Order

PFMV5 **05** - 1 -

Measurement flow range

05	0.0 to 0.5 d/min
10	0.0 to 1.0 d/min
30	0.0 to 3.0 d/min
05F	-0.5 to 0.5 d/min
10F	-1.0 to 1.0 d/min
30F	-3.0 to 3.0 d/min

Output specification

1	Analog output (1 to 5 V)
----------	--------------------------

Option (shipped together)

Nil	None
A	With L-type bracket

* 2 L-type brackets (with 2 mounting screws) are included.

Instruction manual

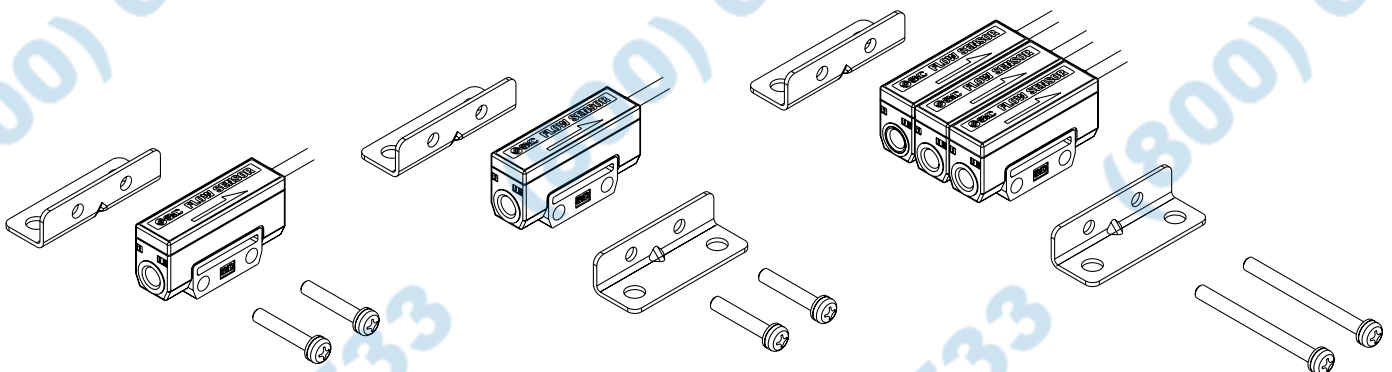
Nil	With instruction manual (Leaflet: Japanese and English)
N	None



Option/Part No.

If a single option or manifold mounting are required, order sensors with the part numbers below separately.

Part no.	Stations	Remarks
ZS-36-A1	For 1 station (for single unit)	2 L-type brackets, 2 mounting screws M3 x 15L
ZS-36-A2	For 2 stations	2 L-type brackets, 2 mounting screws M3 x 25L
ZS-36-A3	For 3 stations	2 L-type brackets, 2 mounting screws M3 x 35L
ZS-36-A4	For 4 stations	2 L-type brackets, 2 mounting screws M3 x 45L
ZS-36-A5	For 5 stations	2 L-type brackets, 2 mounting screws M3 x 55L



PFM

PFMV

PF2A

PF2W

PF2D

IF