

Coolant Valve

Series **SGH**



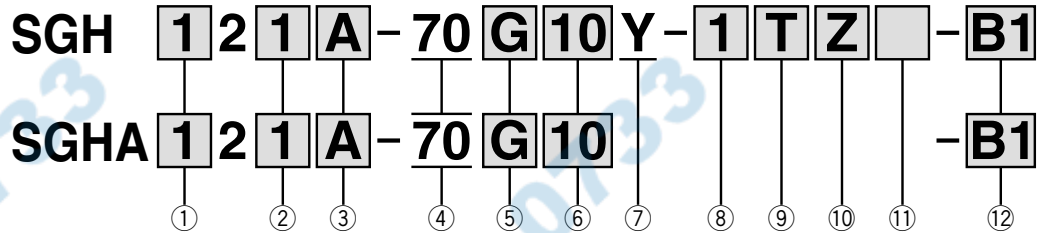
External pilot solenoid



Air operated

How to Order 2-Port Type

Note) Filter is installed on PE port as standard.



① Series

1	SGH100
2	SGH200
3	SGH300
4	SGH400

② Valve type

1	N.C.
2	N.O.

③ Seal material

A	NBR
B	FKM

④ Pressure range

70	Pressure range 0 to 7 MPa
----	---------------------------

⑤ Thread type

Nil	Rc
G	G (ISO1179-1)
N	NPT
T	NPTF

⑥ Port size

10	3/8	SGH100
15	1/2	SGH200
20	3/4	SGH300
25	1	SGH400

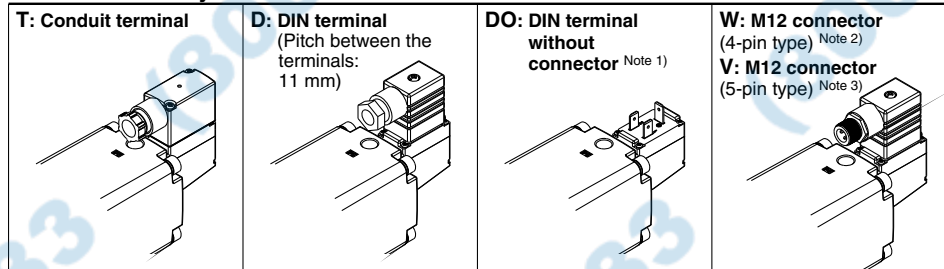
⑦ Pilot valve

Y	V116
---	------

⑧ Rated voltage

1	100 VAC 50/60 Hz
2	200 VAC 50/60 Hz
3	110 VAC [115 VAC] 50/60 Hz
4	220 VAC [230 VAC] 50/60 Hz
5	24 VDC
6	12 VDC

⑨ Electrical entry



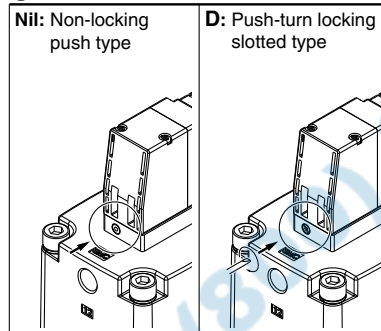
Note 1) Refer to the below table (1) for combinations with light/surge voltage suppressors.
Note 2) Cable is not included. Order it separately after referring to the options on page 12.
Note 3) Only DC voltage is available.

⑩ Light/surge voltage suppressor

Nil	None
S	With surge voltage suppressor (Non-polar)
Z	With light/surge voltage suppressor (Non-polar)

Note) Refer to the below table (1) for combinations with electrical entry.
* DOS, DOZ are not available.
* For AC specifications, Nil is only set for electrical entry DO.

⑪ Manual override



⑫ Bracket

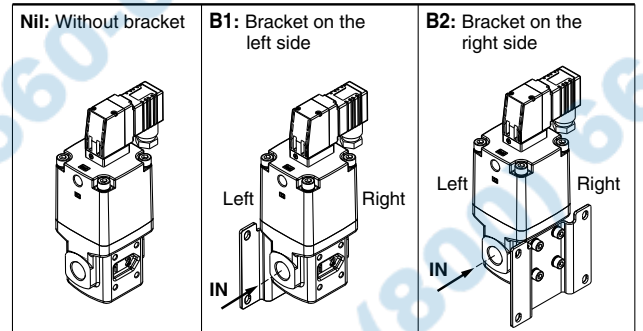


Table (1) Electrical Entry / Light/Surge Voltage Suppressor

Rated voltage	Electrical entry	Without light/surge voltage suppressor	With surge voltage suppressor	With light/surge voltage suppressor
		Nil	S	Z
AC	T	—	●	●
	D	—	●	●
	W	● Note)	—	—
	DO	● Note)	—	—
DC	T	—	●	●
	D	●	●	●
	W	●	—	—
	DO	●	—	—

Note) If an AC specification without DIN terminal (DO) is selected, always use a DIN connector with surge voltage suppressor as the connector.

Options

(For details, refer to page 12.)

Cable for M12 connector

V100-200-1-4

Specifications

4-pin type	1	DC
	2	AC
5-pin type	3	DC

* When selecting the 5-pin type, only DC voltage is available.

Cable length (L)

4	1000 [mm]
8	3000 [mm]
9	5000 [mm]