

Series SY3000/5000

Valve Replacement Parts 1

How to Order Port Block Assembly

SY 0V-6A - -

● **Series**

3	3000
5	5000

● **Pilot type**

Nil	Internal pilot
R	External pilot

● **Option for mounting**

Nil	Standard (Valve mounting screw "not" falling-out-prevention type)
1	Valve mounting screw falling-out-prevention type

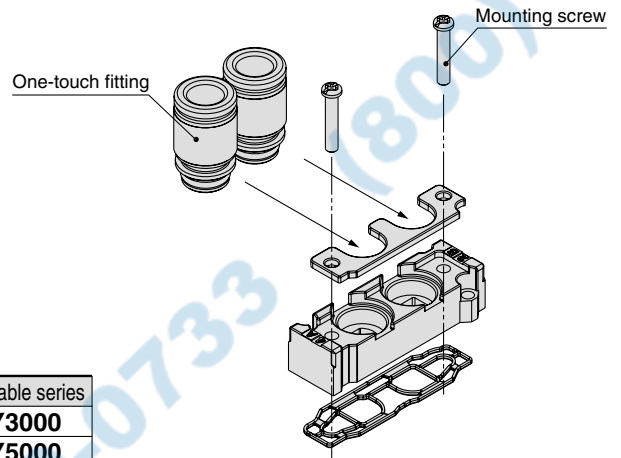
● **Thread type**

Nil	Rc
F	G
N	NPT
T	NPTF

* Except M5

● **A, B port size Thread piping**

Symbol	Port size	Applicable series
M5	M5 x 0.8	SY3000
01	1/8	SY5000



● **One-touch fitting (Metric)**

Symbol	Port size	Applicable series	
		SY3000	SY5000
C2	ø2 One-touch fitting	●	—
C3	ø3.2 One-touch fitting	●	—
C4	ø4 One-touch fitting	●	●
C6	ø6 One-touch fitting	●	●
C8	ø8 One-touch fitting	—	●

● **One-touch fitting (Inch)**

Symbol	Port size	Applicable series	
		SY3000	SY5000
N1	ø1/8" One-touch fitting	●	—
N3	ø5/32" One-touch fitting	●	●
N7	ø1/4" One-touch fitting	●	●
N9	ø5/16" One-touch fitting	—	●

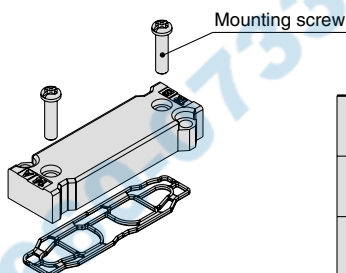
● **Possible to replace only the one-touch fitting.**

Port size		SY3000	SY5000
Metric size	ø2 One-touch fitting	VVQ1000-50A-C2	—
	ø3.2 One-touch fitting	VVQ1000-50A-C3	—
	ø4 One-touch fitting	VVQ1000-50A-C4	VVQ1000-51A-C4
	ø6 One-touch fitting	VVQ1000-50A-C6	VVQ1000-51A-C6
	ø8 One-touch fitting	—	VVQ1000-51A-C8
Inch size	ø1/8" One-touch fitting	VVQ1000-50A-N1	—
	ø5/32" One-touch fitting	VVQ1000-50A-N3	VVQ1000-51A-N3
	ø1/4" One-touch fitting	VVQ1000-50A-N7	VVQ1000-51A-N7
	ø5/16" One-touch fitting	—	VVQ1000-51A-N9

Refer to pages 156 and 157 for how to replace the port block assembly, one-touch fitting and body cover assembly.

Body Cover Assembly

* Used when the top ported is changed to the side or bottom ported.



Series		Part no.	
		Standard (Valve mounting screw "not" falling-out-prevention type)	Valve mounting screw falling-out-prevention type
SY3000	Internal pilot	SY30V-16A	SY30V-16A-1
	External pilot	SY30V-16AR	SY30V-16AR-1
SY5000	Internal pilot	SY50V-16A	SY50V-16A-1
	External pilot	SY50V-16AR	SY50V-16AR-1