

Series VR4151/4152

How to Order

VR41 5 1 01 A 1

• Indicator light

0	No
1	Yes

• Sub-plate

A	Side piping
B	Bottom piping

• Port size

00	W/o sub-plate
01	Rc 1/8
N01	NPT 1/8
F01	G 1/8

• Number of pilot ports

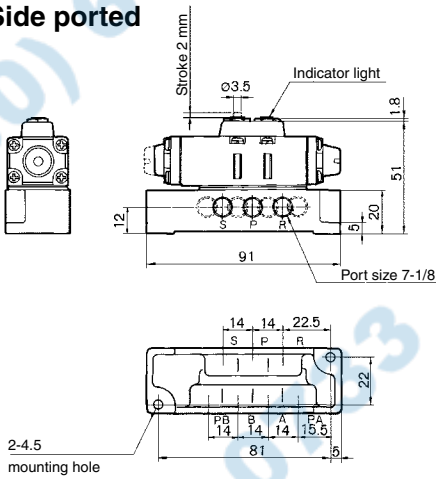
1	Single pilot
2	Double pilot

• Number of ports

5	5 port
---	--------

Dimensions

Side ported



Bottom ported

