

Digital Pressure Switch

Series ZSE10(F)/ISE10



How to Order

For positive pressure

ISE10 - M5 - A - M

For vacuum/
compound pressure

ZSE10 - M5 - B - M

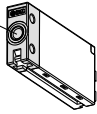
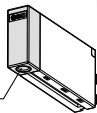
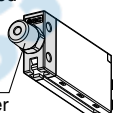
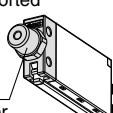
Rated pressure range

ISE10	-0.100 to 1.000 MPa
-------	---------------------

Rated pressure range

ZSE10	0.0 to -101.0 kPa
ZSE10F	-100.0 to 100 kPa

Piping specifications

M5	M5 female thread/Side ported Piping port	
M5R	M5 female thread/Rear ported Piping port	
01*	R1/8/Side ported Piping adapter	
N01*	NPT1/8/Side ported Piping adapter	

* Made to Order

Output specifications

A	NPN open collector 2 outputs
B	PNP open collector 2 outputs
C*	NPN open collector 1 output + Analog voltage
E*	PNP open collector 1 output + Analog voltage

* Made to Order

Unit specifications

Nil	With unit switching function ^{Note 1)}
M	Fixed SI unit ^{Note 2)}
P	With unit switching function ^{Note 1)} (Initial value psi)


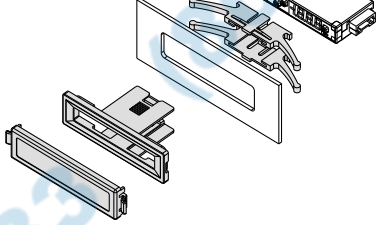
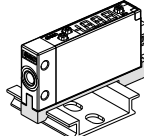
Note 1) Under the New Measurement Law, sales of switches with the unit switching function are not allowed for use in Japan.

Note 2) Fixed unit:
For vacuum/compound pressure: kPa
For positive pressure: MPa

Option 3

Symbol	Calibration certificate
Nil	—
K	○

Option 2

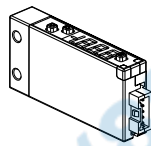
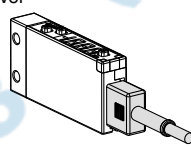
Nil	None	
D ^{Note 3)}	Panel mount adapter + Front protective cover	
R ^{Note 4)}	DIN rail adapter ^{Note 5)}	

Note 3) Not available for piping specifications of 01 and N01.

Note 4) Not available for piping specifications of M5R, 01 and N01.

Note 5) The DIN rail needs to be prepared by the customer.

Option 1

Nil	Without lead wire	
G	Lead wire with connector (Lead wire length: 2 m) With connector cover	

Options/Part No.

When optional parts are required separately, use the following part numbers to place an order.

Part no.	Option
ZS-39-5G	Lead wire with connector (with connector cover) (5 cores, 2 m)
ZS-39-B	Panel mount adapter
ZS-39-D	Panel mount adapter + Front protective cover
ZS-39-R	DIN rail adapter

Part no.	Option
ZS-39-01	Front protective cover
ZS-39-N1*	R1/8 piping adapter
ZS-39-N2*	NPT1/8 piping adapter

* Made to Order