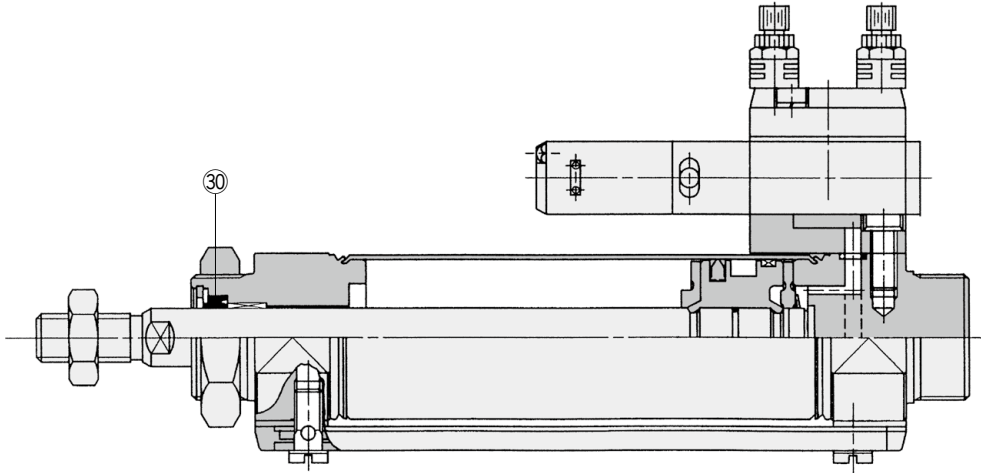


Series CVM5

ø20, ø25, ø32, ø40

Replacement
Procedure is
P.280

Construction



* The numbers are the same as the "Construction" of the Best Pneumatics No.3 Series CVM5.

Seal Kit List

| No. | Description | Material | Note |
|-----|-------------|----------|------|
| 30 | Rod seal | NBR | |

Replacement Parts: Seal Kit

| Bore size (mm) | Kit no. | Contents |
|----------------|----------|----------|
| 20 | CM220-PS | |
| 25 | CM225-PS | |
| 32 | CM232-PS | |
| 40 | CM240-PS | |

* Since the seal kit does not include a grease pack, order it separately.
Grease pack part no.: GR-S-010 (10 g)

Actuators

Modular F.R.L.
Pressure Control Equipment

Air Preparation
Equipment

Industrial Filters

Replacement
Procedure

Actuators

Modular F.R.L.
Pressure Control Equipment

Industrial Filters