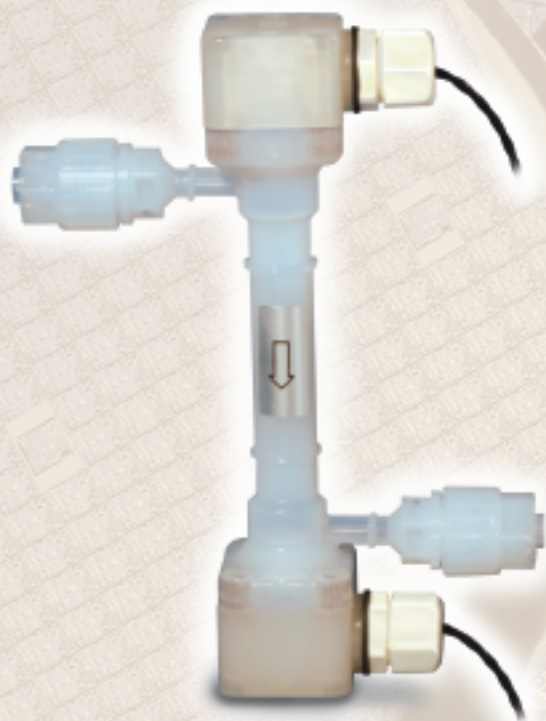


## InfiniFlow<sup>®</sup> Ultrasonic Liquid Flow Measurement and Flow Control with InfiniLink<sup>®</sup> Windows<sup>®</sup> Utility



- ▶ Cutting edge cross-correlation measurement method up to 20x faster than old "Sing-Around" technology.
- ▶ 1% Accuracy and Repeatability of reading up to a 100:1 range.
- ▶ Same Transducer used for complete flow range.
- ▶ Slurry and Micro-bubbles handled with ease.
- ▶ Viscosity to 10,000 cps.
- ▶ High-Purity fluoropolymer wetted path.

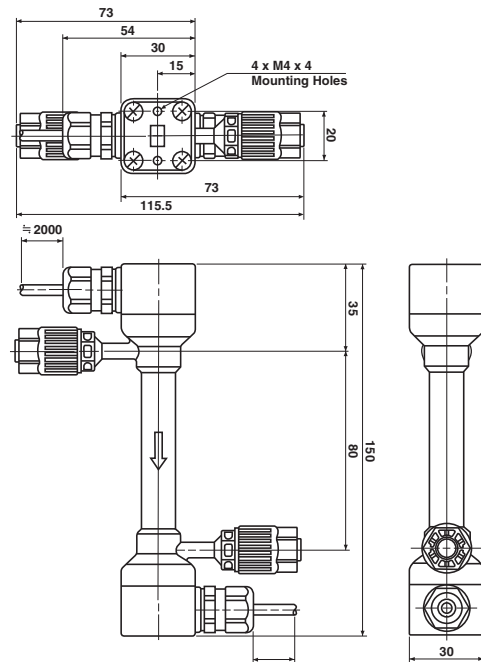
*InfiniFlow*<sup>®</sup>

- ▶ Using same controller, simply switch to "Closed-Loop" mode. No handshake necessary with separate PID controller.
- ▶ "All SMC" technology ensures the finest in fully integrated, fully supported closed-loop liquid flow control for your critical fluid applications.

*InfiniLink*<sup>®</sup>

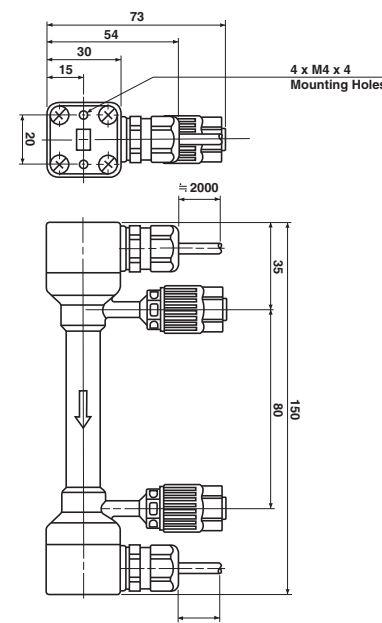


## As a Stand-Alone Flow Meter



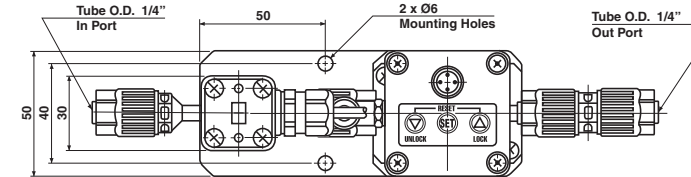
**LFU20-Z07-3A-X2**  
(Includes controller & connectors)

- ▶ 1/4" HyperFlare®
- ▶ 3/8" Soundpipe
- ▶ Measurement Range  
1ml/min to 3000 ml/min



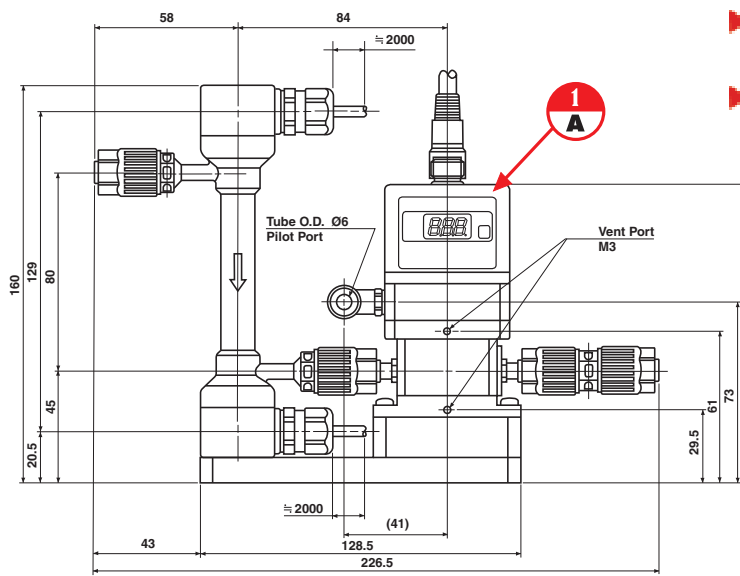
**LFU20-Z07-1A-X2**  
(Includes controller & connectors)

## or with the same controller switch to "Closed-Loop Mode"

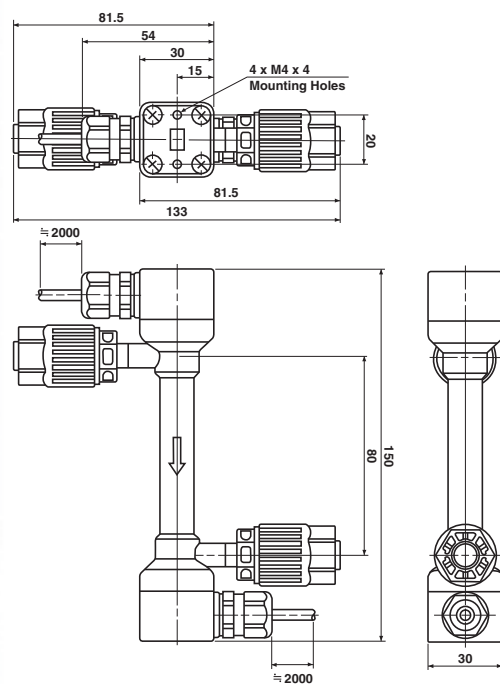


**LLD2A-02-Z07-X31**  
(Includes controller & connectors)

- ▶ 1/4" HyperFlare® with flow to 3000 ml/min
- ▶ Minimum flow 2 ml/min
- ▶ Accuracy & repeatability 1% of reading
- ▶ Settling time as low as 0.5 seconds

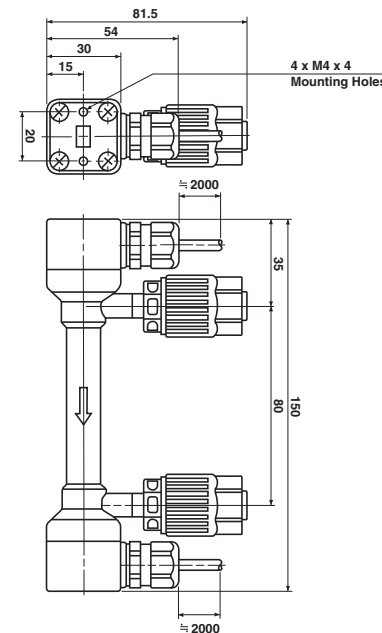


## Operating Pressure to 0.5MPa, Operating Temperature to 60°C Media ( 100°C coming soon )



**LFU20-Z11-3A-X2**  
(Includes controller & connectors)

- ▶ 3/8" HyperFlare®
- ▶ 3/8" Soundpipe
- ▶ Measurement Range  
1ml/min to 8000 ml/min



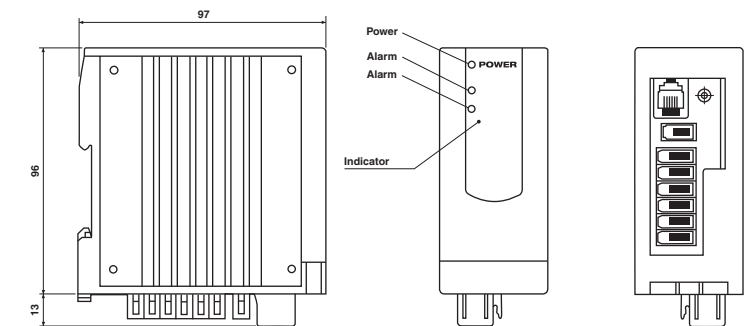
**LFU20-Z11-1A-X2**  
(Includes controller & connectors)



The LTV20 is a hybrid E/P Regulator and 1/4" dome-loaded liquid regulator combined. This provides rapid response and tight packaging for closed-loop flow control.



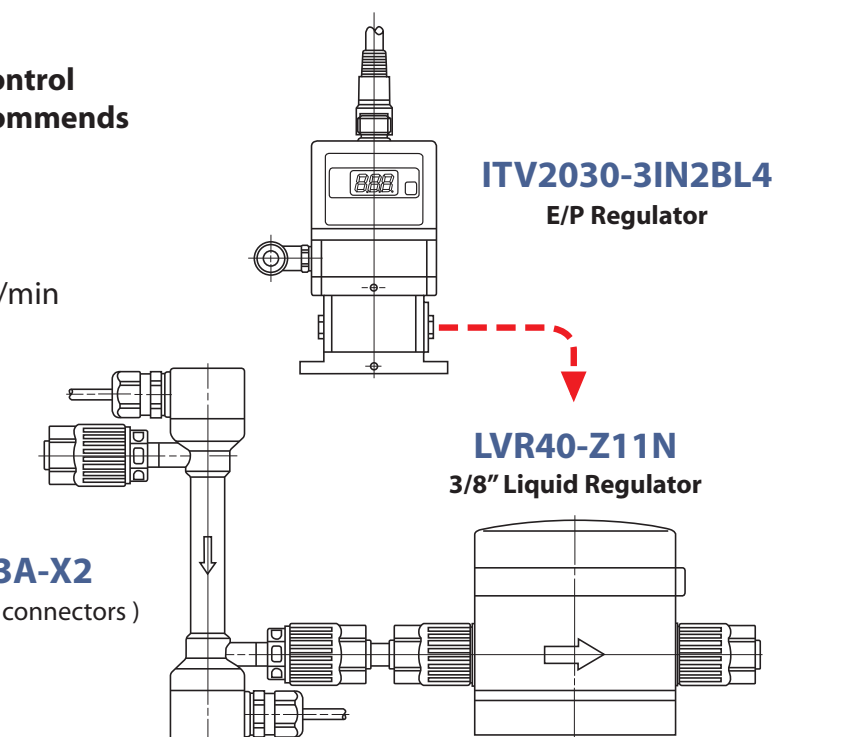
## add a 2 or 3 Input Mixer and make a blending System!



**Controller**  
( For both Flow Meter and CLC Mode )

For closed-loop liquid flow control above 3000 ml/min, SMC recommends the following combination.

- ▶ 3/8" HyperFlare® to 8000 ml/min



**ITV2030-3IN2BL4**  
E/P Regulator

**LVR40-Z11N**  
3/8" Liquid Regulator

**LFU20-Z11-3A-X2**  
( Includes controller & connectors )